

G-SERIES  
**COMPACT EXCAVATORS**



**JOHN DEERE**

17G / 26G / 30G



**COMPACT  
AND VERSATILE**



+



RELIABLE

PRODUCTIVE





***MAKE A  
BIG IMPACT  
WITH A G-SERIES COMPACT.***



**JOHN DEERE**



**DEERE**

## ***INSPIRED BY YOUR INSIGHT.***

Like you, we're dedicated to improving everything we do. So when we developed our G-Series Compact Excavators, we gathered invaluable insight from owners and operators through our Customer Advocate Group. Inspired by your fresh thoughts and ideas, we went to work on machines that better meet your needs. Including a more spacious cab with a wider entryway. A larger expanse of glass for unsurpassed visibility. Fuel-saving auto-idle/auto shutdown and power/economy work modes. Plus the 30G, which rounds out our lineup with more lift capacity and breakout force — and all the usual G-Series advantages customers have come to expect. All so you can achieve more productivity and uptime, at lower costs.

# A LOT ON YOUR PLATE?

## DIG IN.

With tight lot lines and tighter deadlines, you need to get more out of your “mini.” G-Series Compacts deliver big productivity and versatility within a small footprint.



**EASY TO TRAILER**

### Save your tail

Reduced-tail-swing design makes G-Series machines extra-maneuverable and plenty productive in places with tight spaces.

### Dig and go

G-Series Compacts transport easily between jobsites, making them perfect for “dig-and-go” jobs.

### All the comfort you need — and then some

With large entryways and virtually unrestricted sightlines, the G-Series' spacious operator stations deliver all the comfort, convenience, and visibility operators need to bring out their best.

### Maneuverable muscle

17G's variable-width undercarriage and foldable blade can be hydraulically retracted to navigate narrow pathways and tight quarters, then easily repositioned for solid stability, to work where handwork used to be required.



STANDOUT FEATURE



*USES COMMON  
BUCKETS AND  
ATTACHMENTS*



# ***PUT IT TO WORK***

## ***OUR 30G DELIVERS.***

Neither too big nor too small for many of our customers' needs, the 30G is well armed to handle a wide range of underground, building, landscaping, and site-development tasks. And it's the perfect addition to most rental fleets.

### **Just right**

Filling the gap between the 26G and 35G, the 30G delivers impressive bucket force, arm force, breakout force, and lift capacity, to power through tough digging conditions.

### **Go with the flow**

More net horsepower allows the 30G to drive a larger hydraulic pump, increasing productive flow. Higher-flow hydraulic pumps power larger attachments more efficiently.

### **Same proven features**

The 30G boasts the productive features customers have come to expect of other G-Series machines, including a wear-compensating quick-coupler, a pattern changer, foldable pedals, and proportional auxiliary hydraulics plumbed to the end of the boom.

### **Maximum utilization**

This capable mini can use many of the same buckets and attachments that customers who own other John Deere compact machines may already have in their fleets.





# MAKE YOURSELF AT HOME

## ***SURPRISING COMFORT FOR A MINI.***

Compact doesn't have to mean uncomfortable. Our G-Series machines won't cramp your legs — or your style. Their ergonomically designed operator stations are built to accommodate even larger operators.

### **Comfortable workspace**

These spacious operator stations have wide entryways, making entrance and exit easier than ever. Optional cab's front glass is expansive, for exceptional visibility.

### **Calm, cool, and collected**

Automatic, high-velocity bi-level climate-control system with automotive-style adjustable louvers helps keep the glass clear and the operator comfortable.

### **More efficient operation**

Swing boom and foldable travel pedals on the 26G and 30G are positioned to provide efficient operation while maximizing foot room.

### **Automatic travel speeds**

Track speeds automatically slow to low whenever a heavier load is encountered, then return to high when the load normalizes. No pedal or operator activation is required for 26G or 30G high-speed travel.

### **Choose how you work**

Go from backhoe- to excavator-style controls with a twist of your wrist. Control pattern selector valve is conveniently located in a compartment beneath the seat and includes a sight glass that displays the selected pattern.



# 4-SEASON CAB

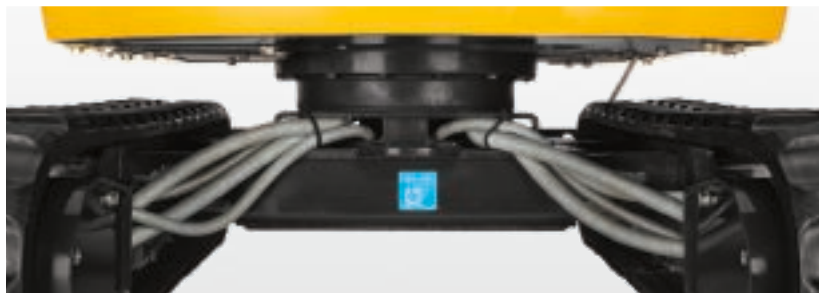
FOR ALL-WEATHER  
PRODUCTIVITY



# AS TOUGH AS THEY COME

DISH IT OUT — AND TAKE IT.

Don't let their compact statures fool you. Like their larger G-Series siblings, the 17G, 26G, and 30G are exceptionally capable and durable.



## Maintenance-free brakes

Wet-disc swing brake provides long-term maintenance-free performance.

## Minimize leaks

O-ring face-seal hydraulic fittings virtually eliminate aggravating and costly leaks.

## Backup plan

Self-priming diesel helps you get back up and running quickly should your excavator ever run out of fuel.

## Protected motors and cylinders

Heavy-duty side shields deflect material and impacts, protecting propel motors and boom and blade cylinders.

## Durable lines and hoses

Steel hydraulic lines are clamped securely. CORDURA® covering on rubber hoses provides extra durability.

## Heavy-duty frames

Box-constructed X-frame and track frames provide a rock-solid and stable platform that resists material and dirt buildup.

## No costly aftertreatment devices

High-torque fuel-efficient diesels meet EPA Final Tier 4/EU Stage IV emission standards without aftertreatment devices — reducing maintenance and expense.



**NO AFTER-TREATMENT DEVICES NEEDED**





*SET YOUR SIGHTS ON*  
**GETTING**  
**MORE DONE.**

# WORK YOUR CONNECTIONS

## THE RIGHT TOOL FOR THE JOB.

Standard equipped with backfill blade, mechanical quick-coupler, and auxiliary hydraulics, plus any of the many optional John Deere attachments available, G-Series Compact Excavators can make a sizable impact on your productivity. And your profitability.

### Quick-change artist

New standard selector valve on the 26G and 30G allows the connection of two attachments at the same time. Supply/return oil can be diverted from one to the other by changing the valve position.

### Augers

John Deere augers can be equipped with numerous sizes of rock, heavy-duty, standard, and tree/shrub bits.

### Backfill blade

Backfill blade adds versatility, enabling these compact excavators to grade and fill. Provides extra stability with attachments or when working on uneven terrain, too.

### Hydraulic hammers

Our hydraulic hammers are perfect for quarry or trench work and concrete removal. Use them to break rock, concrete flatwork, and walls; around rebar; or to a precut line.

### Wide variety of buckets and attachments

Wedge-style coupler enables quick changes and accepts a wide variety of buckets and attachments, such as hammers, plate compactors, and augers.



### Make the most of your investment

Already own some John Deere attachments? D-Series Excavator buckets, hammers, and augers also work on the 17G, 26G, and 30G, as well as other Deere machines.

# ***DON'T SWEAT THE DETAILS***

*SPEND MORE TIME WORKING, LESS TIME MAINTAINING.*

## **Support where and when you need it**

Parts and service are available at over 1,400 John Deere dealers throughout North America.

## **Easy cooler core cleanout**

Hinged door provides wide-open access to the side-by-side oil cooler and radiator. Cooler design resists trash buildup and allows easier core cleanout. Access is quick and convenient.

## **Common components**

The 30G shares many common components – including the engine, fluids, filters, and operator's station (cab or canopy) – with the 35G, simplifying maintenance and repairs.



---

**Auto-idle and auto shutdown**

Auto-idle automatically reduces engine speed when hydraulics aren't in use. Auto shutdown further conserves precious fuel.

**Optimize power and fuel economy**

Power/economy modes optimize power for digging applications and significantly improve fuel efficiency.





# 17G SPECIFICATIONS

<b>Engine</b>		<b>17G</b>
Manufacturer and Model	Yanmar 3TNV74F	
Non-Road Emission Standard	EPA Final Tier 4/EU Stage IV	
Displacement	0.99 L (61 cu. in.)	
Net Power (ISO 9249)	10.8 kW (14.5 hp) at 2,400 rpm	
<b>Powertrain</b>		
Each track independently driven by hydrostatic axial-piston motor connected to 2-stage planetary gear reduction box		
<b>Maximum Travel Speed</b>		
Low	2.4 km/h (1.5 mph)	
High	4.2 km/h (2.6 mph)	
Swing Speed	9.4 rpm	
Swing Brake	Spring applied, hydraulically released, automatic	
<b>Hydraulics</b>		
Open center with 2 variable-displacement pumps, 1 fixed-gear pump, and 1 pilot pump		
<b>Pump Flow</b>		
Piston	2 x 19.2 L/m (2 x 5.1 gpm)	
Gear	10.98 L/m (2.9 gpm)	
Auxiliary Flow	29.9 L/m (7.9 gpm)	
Controls	Hydraulic pilot operated for boom, arm, bucket, swing, boom swing, blade, travel, and auxiliary functions	
<b>Electrical</b>		
Alternator Rating	40 amp	
<b>Work Lights</b>	1 mounted on boom	
<b>Undercarriage</b>		
Planetary final drive; 2-speed axial-piston propel motors		
Tracks, Rubber	230 mm (9 in.)	
Ground Pressure with Rubber Track	26.6 kPa (3.9 psi)	
<b>Upperstructure</b>		
Independent Swing Boom		
Left	70 deg.	
Right	50 deg.	
Counterweight, Standard	120 kg (265 lb.)	
Rear Overhang	40 mm (2 in.)	
<b>Serviceability</b>		
<b>Refill Capacities</b>		
Fuel Tank	20.06 L (5.3 gal.)	
Cooling System	2.7 L (2.9 qt.)	
Engine Oil with Filter	3.10 L (3.3 qt.)	
Hydraulic Tank	14.01 L (3.7 gal.)	
<b>Operating Weight</b>		
With 0.93-m (3 ft. 1 in.) Standard Arm, Standard Counterweight, Rubber Track, Full Fuel Tank, and 79-kg (175 lb.) Operator	1720 kg (3,790 lb.)	

# 17G SPECIFICATIONS



## Operating Dimensions

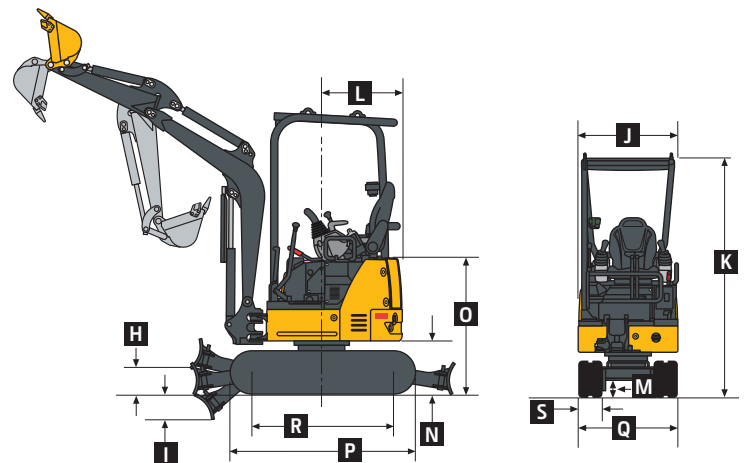
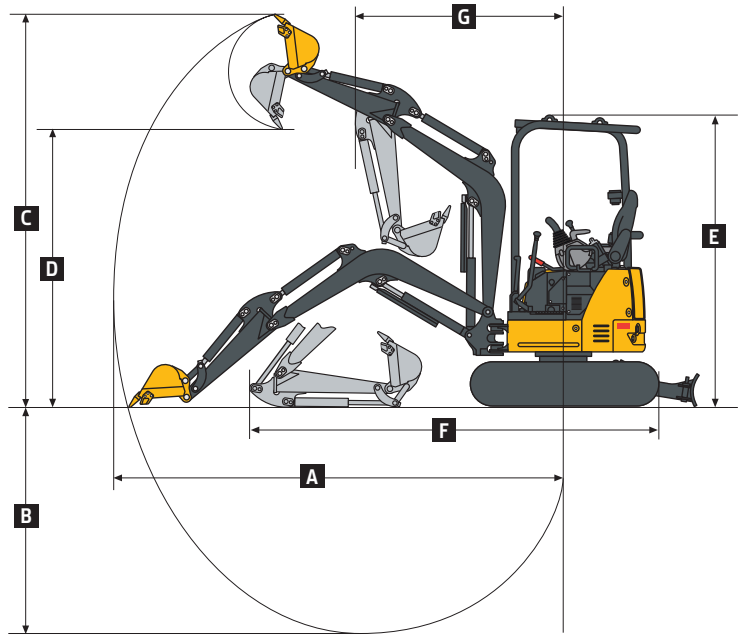
17G

0.93-m (3 ft. 1 in.) Standard Arm  
and Standard Counterweight

<b>A</b> Maximum Digging Reach	3.81 m (12 ft. 6 in.)
<b>B</b> Maximum Digging Depth	2.19 m (7 ft. 2 in.)
<b>C</b> Maximum Cutting Height	3.54 m (11 ft. 7 in.)
<b>D</b> Maximum Dumping Height	2.51 m (8 ft. 3 in.)
<b>E</b> Transport Height	2.38 m (7 ft. 10 in.)
<b>F</b> Overall Length (blade in front)	3.50 m (11 ft. 6 in.)
<b>G</b> Minimum Swing Radius	1.53 m (5 ft. 0 in.)
<b>H</b> Blade Bottom Highest Position	0.29 m (11 in.)
<b>I</b> Blade Bottom Lowest Position	0.23 m (9 in.)
Boom-Swing Pivot-Offset Distance	0.11 m (4 in.)
Offset Distance	
Left	0.36 m (14 in.)
Right	0.56 m (22 in.)
Digging Force	
Bucket	16.0 kN (3,597 lb.)
Arm	8.6 kN (1,933 lb.)

## Machine Dimensions

Blade	
Width	
Minimum	0.98 m (3 ft. 3 in.)
Maximum	1.28 m (4 ft. 2 in.)
Height	260 mm (10.2 in.)
<b>J</b> Upperstructure Width	0.99 m (3 ft. 3 in.)
<b>K</b> Overall Height	2.38 m (7 ft. 10 in.)
<b>L</b> Rear-End Swing Radius	0.68 m (2 ft. 3 in.)
<b>M</b> Minimum Ground Clearance	0.165 m (6 in.)
<b>N</b> Counterweight Height	0.45 m (18 in.)
<b>O</b> Engine Cover Height	1.15 m (3 ft. 9 in.)
<b>P</b> Undercarriage Length	1.57 m (5 ft. 2 in.)
<b>Q</b> Undercarriage Width	
Minimum	0.98 m (3 ft. 3 in.)
Maximum	1.28 m (4 ft. 2 in.)
<b>R</b> Sprocket Center to Idler Center	1.21 m (4 ft. 0 in.)
<b>S</b> Track Shoe Width	0.23 m (9 in.)



## Lift Capacities

0.93-m (3 ft. 1 in.) Standard Arm, Standard Counterweight, and Rubber Track

	Over Front*	Over Side
<b>Ground Level at 3.0-m (10 ft.) Radius</b>	471 kg (1,015 lb.)	217 kg (470 lb.)

\*Blade down (limited by hydraulics).



# 26G SPECIFICATIONS

<b>Engine</b>		<b>26G</b>
Manufacturer and Model	Yanmar 3TNV80F	
Non-Road Emission Standard	EPA Final Tier 4/EU Stage IV	
Displacement	1.267 L (77 cu. in.)	
Net Power (ISO 9249)	14.9 kW (20.0 hp) at 2,500 rpm	
<b>Powertrain</b>		
Each track independently driven by hydrostatic axial-piston motor connected to 2-stage planetary gear reduction box		
<b>Maximum Travel Speed</b>		
Low	2.9 km/h (1.8 mph)	
High	4.5 km/h (2.8 mph)	
Swing Speed	91 rpm	
Swing Brake	Spring applied, hydraulically released, automatic	
<b>Hydraulics</b>		
Open center with 2 variable-displacement pumps, 1 fixed gear pump, and 1 pilot pump		
<b>Pump Flow</b>		
Piston	2 x 36.0 L/m (2 x 7.9 gpm)	
Gear	16.28 L/m (4.3 gpm)	
Auxiliary Flow	46.18 L/m (12.2 gpm)	
Controls	Hydraulic pilot operated for boom, arm, bucket, swing, boom swing, blade, travel, and auxiliary functions	
<b>Electrical</b>		
Alternator Rating	40 amp	
<b>Work Lights</b>	2 halogen, 1 mounted on operator station, and 1 mounted on boom	
<b>Undercarriage</b>		
2-speed axial-piston propel motors		
Tracks, Rubber	300 mm (12 in.)	
Ground Pressure with 1.17-m (3 ft. 10 in.) Standard Arm, Standard Counterweight, and Rubber Track		
Canopy	25.0 kPa (3.6 psi)	
Cab	25.9 kPa (3.8 psi)	
<b>Upperstructure</b>		
Independent Swing Boom w/ 1.17-m (3 ft. 10 in.) Standard Arm	<i>Canopy and 241-kg (531 lb.) Standard Counterweight</i>	<i>Cab and 208-kg (459 lb.) Standard Counterweight</i>
Left	70 deg.	70 deg.
Right	60 deg.	60 deg.
<b>Serviceability</b>		
<b>Refill Capacities</b>		
Fuel Tank	34.07 L (9.0 gal.)	
Cooling System	3.12 L (3.3 qt.)	
Engine Oil with Filter	3.69 L (3.9 qt.)	
Hydraulic Tank	23.85 L (6.3 gal.)	
<b>Operating Weights</b>		
With 1.17-m (3 ft. 10 in.) Standard Arm, Rubber Track, Standard Counterweight, Full Fuel Tank, and 79-kg (175 lb.) Operator		
Canopy	2620 kg (5,780 lb.)	
Cab	2770 kg (6,110 lb.)	

# 26G SPECIFICATIONS



## Operating Dimensions

26G

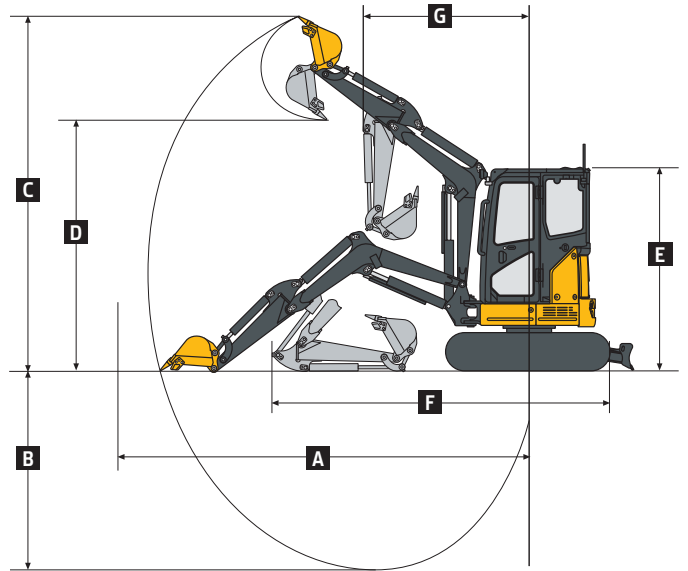
1.17-m (3 ft. 10 in.) Standard Arm and

Standard Counterweight

Canopy

Cab

<b>A</b> Maximum Digging Reach	4.63 m (15 ft. 2 in.)	4.63 m (15 ft. 2 in.)
<b>B</b> Maximum Digging Depth	2.59 m (8 ft. 6 in.)	2.59 m (8 ft. 6 in.)
<b>C</b> Maximum Cutting Height	4.44 m (14 ft. 7 in.)	4.28 m (14 ft. 1 in.)
<b>D</b> Maximum Dumping Height	3.19 m (10 ft. 6 in.)	3.04 m (10 ft. 0 in.)
<b>E</b> Transport Height	2.43 m (8 ft. 0 in.)	2.43 m (8 ft. 0 in.)
<b>F</b> Overall Length		
Blade in Front	4.18 m (13 ft. 9 in.)	4.18 m (13 ft. 9 in.)
Blade in Rear	4.48 m (14 ft. 8 in.)	4.48 m (14 ft. 8 in.)
<b>G</b> Minimum Swing Radius	1.92 m (6 ft. 4 in.)	2.01 m (6 ft. 7 in.)
<b>H</b> Blade Bottom Highest Position	0.32 m (13 in.)	0.32 m (13 in.)
<b>I</b> Blade Bottom Lowest Position	0.32 m (12 in.)	0.32 m (12 in.)
Boom-Swing Pivot-Offset Distance	0.09 m (3 in.)	0.09 m (3 in.)
Offset Distance		
Left	0.56 m (22 in.)	0.56 m (22 in.)
Right	0.70 m (28 in.)	0.70 m (28 in.)
Digging Force		
Bucket	22.21 kN (4,994 lb.)	22.21 kN (4,994 lb.)
Arm	15.17 kN (3,410 lb.)	15.17 kN (3,410 lb.)



## Machine Dimensions

Blade

Width	1.50 m (4 ft. 11 in.)
Height	320 mm (12.6 in.)

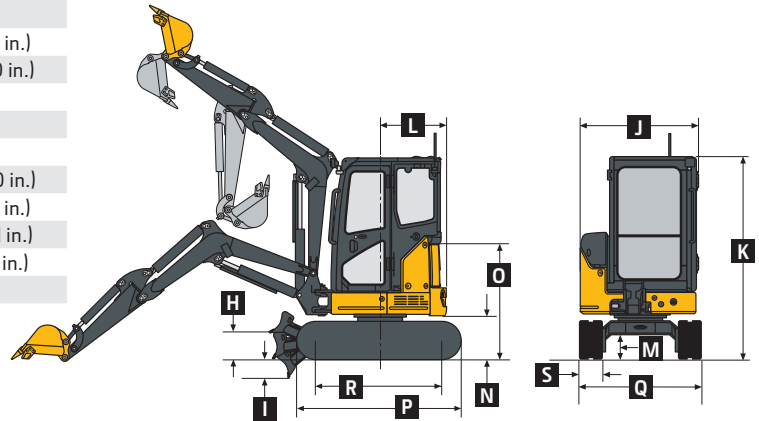
1.17-m (3 ft. 10 in.) Standard Arm and

Standard Counterweight

Canopy

Cab

<b>J</b> Upperstructure Width	1.39 m (4 ft. 7 in.)	1.42 m (4 ft. 8 in.)
<b>K</b> Overall Height	2.43 m (8 ft. 0 in.)	2.43 m (8 ft. 0 in.)
<b>L</b> Rear-End Swing Radius	0.80 m (31 in.)	0.80 m (31 in.)
<b>M</b> Minimum Ground Clearance	0.30 m (12 in.)	0.30 m (12 in.)
<b>N</b> Counterweight Height	0.53 m (21 in.)	0.53 m (21 in.)
<b>O</b> Engine Cover Height	1.49 m (4 ft. 11 in.)	1.47 m (4 ft. 10 in.)
<b>P</b> Undercarriage Length	1.96 m (6 ft. 5 in.)	1.96 m (6 ft. 5 in.)
<b>Q</b> Undercarriage Width	1.50 m (4 ft. 11 in.)	1.50 m (4 ft. 11 in.)
<b>R</b> Sprocket Center to Idler Center	1.53 m (5 ft. 0 in.)	1.53 m (5 ft. 0 in.)
<b>S</b> Track Shoe Width	0.30 m (12 in.)	0.30 m (12 in.)



## Lift Capacities

1.17-m (3 ft. 10 in.) Standard Arm, Standard Counterweight, and Rubber Track

Ground Level at 3.0-m (10 ft.) Radius

Canopy, Over Front\*

Canopy, Over Side

Cab, Over Front\*

Cab, Over Side

1200 kg (2,573 lb.)

362 kg (781 lb.)

1201 kg (2,592 lb.)

394 kg (850 lb.)

\*Blade down (limited by hydraulics).



# 30G SPECIFICATIONS

<b>Engine</b>		<b>30G</b>	
Manufacturer and Model	Yanmar 3TNV88F-EPHB		
Non-Road Emission Standard	EPA Final Tier 4/EU Stage IV		
Displacement	1.642 L (100.2 cu. in.)		
Net Rated Power (ISO 9249)	17.4 kW (23 hp) at 2,400 rpm		
<b>Powertrain</b>			
2-speed propel with automatic shift			
<b>Maximum Travel Speed</b>			
Low	2.8 km/h (1.7 mph)		
High	4.3 km/h (2.7 mph)		
Swing Speed, Right and Left	9.1 rpm		
Swing Brake	Spring applied, hydraulically released, automatic, disc type		
<b>Hydraulics</b>			
Open center, pilot operated, with 2 variable-displacement pumps and single-gear pilot pump			
<b>Maximum Rated Flow</b>			
Main Pumps	2 x 38.4 L/m (2 x 10.1 gpm)		
Pilot Pump	22.8 L/m (6.0 gpm)		
Auxiliary Hydraulics	61.2 L/m (16.2 gpm)		
Controls	Pilot levers; short-stroke, low-effort hydraulic pilot controls with shutoff lever		
<b>Electrical</b>			
Alternator Rating	55 amp		
<b>Work Lights</b>	2 halogen, 1 mounted on operator station, and 1 mounted on boom		
<b>Undercarriage</b>			
Planetary final drives with axial-piston motors; propel motor shields			
Track-Shoe Width, Standard Configuration	300 mm (11.8 in.)		
Ground Pressure with 300-mm (12 in.) Triple Semi-Grouser Shoes			
Canopy	28 kPa (4.1 psi)		
Cab	30 kPa (4.4 psi)		
<b>Upperstructure</b>			
Maximum Boom-Swing Angle	<i>Canopy</i>	<i>Cab</i>	
Left	72 deg.	62 deg.	
Right	62 deg.	62 deg.	
<b>Serviceability</b>			
<b>Refill Capacities</b>			
Fuel Tank	42.0 L (11.1 gal.)		
Engine Coolant	5.0 L (1.3 gal.)		
Engine Oil with Filter	7.2 L (1.9 gal.)		
Travel Gearcase (each; qty. 2)	0.60 L (0.6 qt.)		
Hydraulic System	56.0 L (14.8 gal.)		
Hydraulic Tank	43.0 L (11.4 gal.)		
<b>Operating Weights</b>			
With 328-kg (723 lb.) Counterweight, Standard Front Attachments, Full Fuel Tank, and 75-kg (165 lb.) Operator			
300-mm (12 in.) Rubber Track (canopy with operator)	3105 kg (6,850 lb.)		
300-mm (12 in.) Rubber Track (cab with operator)	3275 kg (7,220 lb.)		

# 30G SPECIFICATIONS



## Operating Dimensions 30G

1.17-m (3 ft. 10 in.) Standard Arm and Standard Counterweight

	Canopy	Cab
<b>A</b> Maximum Cutting Height	4.62 m (15 ft. 2 in.)	4.42 m (14 ft. 6 in.)
<b>B</b> Maximum Dumping Height	3.20 m (10 ft. 6 in.)	3.03 m (9 ft. 11 in.)
<b>C</b> Maximum Digging Depth	2.79 m (9 ft. 2 in.)	2.79 m (9 ft. 2 in.)
<b>D</b> Maximum Digging Reach	4.89 m (16 ft. 1 in.)	4.89 m (16 ft. 1 in.)
<b>E</b> Minimum Boom-Swing Radius	1.58 m (5 ft. 2 in.)	1.82 m (6 ft. 0 in.)
<b>F</b> Transport Length	4.45 m (14 ft. 7 in.)	4.45 m (14 ft. 7 in.)

## Machine Dimensions

Blade

Width 1740 mm (5 ft. 9 in.)

Height 373 mm (15 in.)

**G** Upperstructure Width 1.55 m (5 ft. 1 in.)

**H** Overall Height, Canopy or Cab 2.48 m (8 ft. 2 in.)

**I** Track Width 300 mm (12 in.)

**J** Undercarriage Width 1.55 m (5 ft. 1 in.)

**K** Ground Clearance 280 mm (11 in.)

**L** Tail-Swing Radius (with standard arm) 775 mm (31 in.)

**M** Engine Cover Height 1.53 m (5 ft. 0 in.)

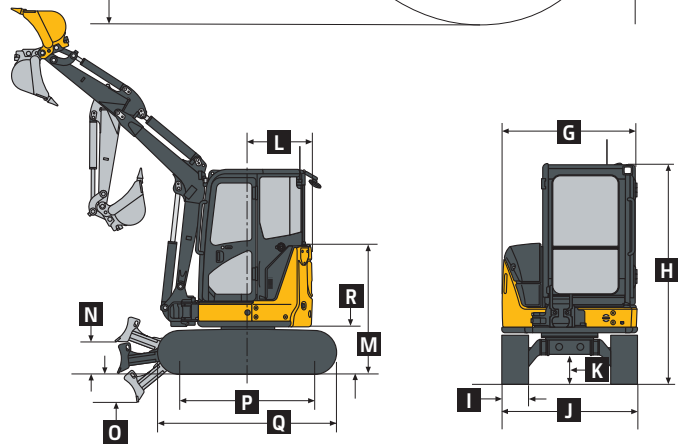
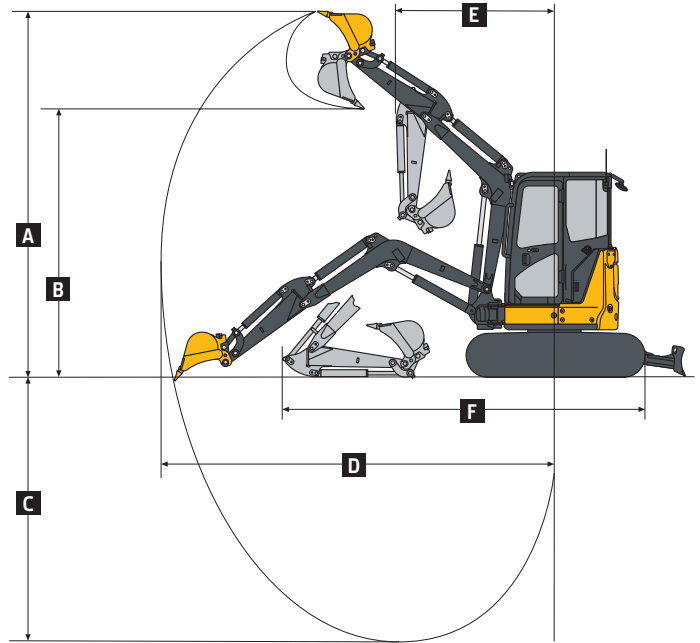
**N** Maximum Blade Lift Above Ground 360 mm (14 in.)

**O** Maximum Blade Drop Below Ground 360 mm (14 in.)

**P** Sprocket Center to Idler Center 1.66 m (5 ft. 5 in.)

**Q** Undercarriage Length 2.11 m (6 ft. 11 in.)

**R** Counterweight Clearance 0.55 m (22 in.)



## Lift Capacities

**Boldface type** indicates hydraulically limited capacities; **lightface type** indicates stability-limited capacities, in kg (lb.). All lift capacities are based on ISO 10567 (with power boost). Machine situated on firm, level, uniform supporting surface. Total load includes weight of cables, hook, etc. Figures do not exceed 87% of hydraulic capacity or 75% of weight needed to tip machine.

1.17-m (3 ft. 10 in.) Arm, 81.5-kg (180 lb.)

Bucket, 328-kg (723 lb.) Counterweight, and 300-mm (12 in.) Track Shoe

	Canopy, Blade on Ground, Over Front*	Canopy, Blade on Ground, Over Side	Cab, Blade on Ground, Over Front*	Cab, Blade on Ground, Over Side
<b>Ground Level at 3.0-m (10 ft.) Radius</b>	<b>1440 kg (3,170 lb.)</b>	480 kg (1,050 lb.)	<b>1440 kg (3,170 lb.)</b>	510 kg (1,124 lb.)

\*Blade down (limited by hydraulics).

# Additional equipment

Key: ● Standard ▲ Optional or special

See your John Deere dealer for further information.

17G	26G	30G	Engine
●	●	●	Meets EPA Final Tier 4/EU Stage IV emissions
●	●	●	Engine coolant to -37 deg. C (-34 deg. F)
●	●	●	Engine preheater
●	●	●	Fan guard
●	●	●	Fuel/water separator
●	●	●	Full-flow oil filter
●	●	●	Isolation mounted
●	●	●	Key start switch with electric fuel shutoff
●	●	●	Single dry-type air filter
●	●		Under-hood muffler
		●	Auto-idle
		●	Auto shutdown
<b>Hydraulic System</b>			
●			Auxiliary function foot control
	●	●	Auxiliary function right-hand pilot-lever control
●	●	●	Auxiliary hydraulic lines to end of boom
		▲	Auxiliary hydraulic lines with quick-couplers to end of boom
		●	Auxiliary selector valve
●	●	●	Axial-piston swing motor
●	●	●	Boom-swing foot control
●	●	●	Excavator-to-backhoe control pattern change valve
●	●	●	Open center with 2 variable-displacement pumps, 1 fixed-gear pump, and 1 pilot pump
●	●		Hydraulic pilot-operated controls for boom, arm, bucket, swing, boom swing, blade, and travel
		●	Hydraulic pilot-operated controls for boom, arm, bucket, swing, boom swing, blade, travel, and auxiliary functions
●	●	●	Wet-disc swing brake
<b>Undercarriage</b>			
●			Hydraulic-adjustable variable width
●	●	●	Planetary final drive
●	●	●	Propel motor shield

17G	26G	30G	Undercarriage (continued)
●	●	●	2-speed axial-piston propel motors
●			Rubber track, 230 mm (9 in.)
	●	●	Rubber track, 300 mm (12 in.)
<b>Upperstructure</b>			
●	●	●	360-deg. rotation
●			Counterweight, 120 kg (265 lb.)
	●		Counterweight, cab, 208 kg (459 lb.)
	●		Counterweight, canopy, 241 kg (531 lb.)
		●	Counterweight, 328 kg (723 lb.)
●	●	●	Hinged service-access doors
●	●	●	ROPS/TOPS/FOPS (canopy)
	▲		ROPS/TOPS/FOPS (cab) with heater
		▲	ROPS/TOPS/FOPS (cab) with air conditioning and heater
●	●		Vandal protection for service doors and fuel cap
		●	Vandal protection for service doors, fuel cap, and toolbox
●	●	●	Reduced-tail-swing configuration
<b>Front Attachments</b>			
●			Arm, 0.93 m (3 ft. 1 in.)
	●	●	Arm, 1.17 m (3 ft. 10 in.)
●			Backfill blade, 0.98 m (3 ft. 3 in.) minimum to 1.28 m (4 ft. 2 in.) maximum
	●		Backfill blade, 1.50 m (4 ft. 11 in.)
		●	Backfill blade, 1.74 m (5 ft. 9 in.)
●			Boom, 1.82 m (6 ft. 0 in.)
	●		Boom, 2.10 m (6 ft. 11 in.)
		●	Boom, 2.465 m (8 ft. 1 in.)
●	●	●	Mechanical quick-coupler
▲			Augers: Chain drive / Bits / Bit adapters
	▲	▲	Augers: Planetary / Chain drive / Bits / Bit adapters
▲	▲	▲	Clamp
▲	▲	▲	Hammers: Points / Tools
▲	▲	▲	Quick-coupler buckets: Bucket teeth / Ditching / Heavy-duty
<b>Operator's Station</b>			
●	●	●	Horn
●	●	●	Hour meter

17G	26G	30G	Operator's Station (continued)
●	●	●	Instrumentation lights
	●	●	Mode selectors (illuminated): Power mode (1) / Eco mode (1)
●	●		Monitor system: Preheat indicator / Engine oil pressure warning light / Alternator charge warning light / Fuel gauge and low-fuel-level indicator / Engine coolant warning light and alarm / Hour meter / Work lights indicator
		●	Monitor system: Preheat indicator / Engine oil pressure indicator with alarm / Alternator voltage indicator / Fuel gauge and low-fuel-level indicator / Engine coolant temperature gauge and engine coolant temperature indicator with alarm / Hour meter / Work lights indicator
●	●	●	Motion alarm with cancel switch
●	●	●	Work lights switch
●			Propel levers
	●	●	Propel levers and foldable pedals
●			2 travel speeds
	●	●	2 travel speeds with automatic shifting
●	●	●	Seat belt, 51 mm (2 in.), retractable
		▲	Seat belt, 76 mm (3 in.), retractable
●	●	●	Suspension seat, vinyl, with fore/aft adjustment
		▲	Suspension seat, cloth (cab only)
▲	▲	▲	Front screen
<b>Electrical</b>			
●	●	●	12-volt accessory outlet
●	●		Alternator, 40 amp
		●	Alternator, 55 amp
●	●	●	Low-maintenance battery
●	●	●	Blade-type multi-fused circuits
●	●	●	Positive-terminal battery covers
<b>Lights</b>			
●			Work lights: 1 mounted on boom
	●	●	Work lights: Halogen / 1 mounted on operator's station / 1 mounted on boom

Net engine power is with standard equipment including air cleaner, exhaust system, alternator, and cooling fan at test conditions per ISO 9249. These machines are not equipped with spark-arrestor mufflers. Usage in forestry applications is not recommended. Specifications and design subject to change without notice.

Wherever applicable, specifications are in accordance with SAE standards. Except where otherwise noted, these specifications are based on canopy units with standard arms; full fuel tanks; and 79-kg (175 lb.) operators; a 17G unit with 406-mm (16 in.) bucket, 230-mm (9 in.) rubber track, and 120-kg (265 lb.) counterweight; a 26G unit with 457-mm (18 in.) bucket, 300-mm (12 in.) rubber track, and 208-kg (459 lb.) cab counterweight or 241-kg (531 lb.) canopy counterweight; and a 30G unit with 300-mm (12 in.) rubber track and 328-kg (723 lb.) counterweight.

